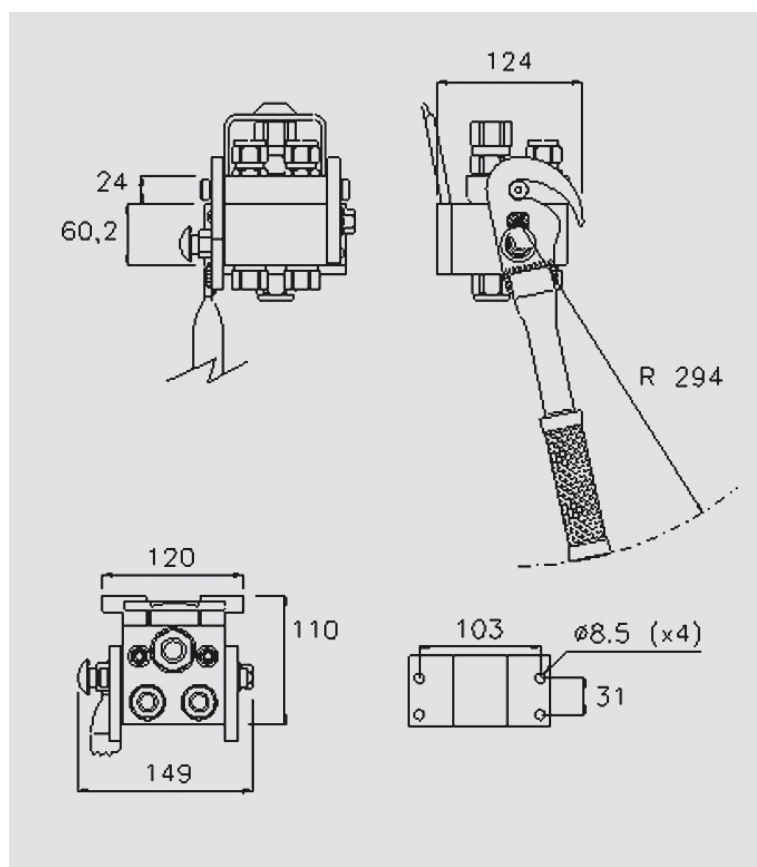


P306



Multifaster, 2 lines, size o6, 1 line size o8.

Applications



Technical Specifications

dash	Size		Working Pressure (MPa)	Flow Rate (l/min)	Spillage (ml)	Burst pressure (MPa)		
	mm	inch				Male	Female	Male + Female
06	10	3/8"	25	40	0,008	100	100	100
08	12,5	1/2"	25	70	0,01	100	100	100

Material	Aluminium; Steel	Valve Type	Flat
Seals	NBR; PUR	Connection	Lever
Working temperatures	- 25 °C to 100 °C	Disconnection	Lever
Surface treatment	MATE 500 (CrIII); Paint	Connection Under Pressure	Allowed Residual

P306

Size					Thread Type					MOBILE
dash	mm	inch	Housing	Number of Couplings	Thread Type	Standard	Thread	Electrical N	Connector Type	Part Number
06	10	3/8"	3	2	F BSPP	ISO 1179-1	BSPP 3/8" FEMALE			3P306-A-2-38GMC
08	12,5	1/2"		0				1	7 PINS	
06	10	3/8"	3	2	11/ SAE	ISO 8434-3	13/16"-16 UN MALE ORFS			3P306-0-2-8B MC
08	12,5	1/2"		0						
06	10	3/8"	3	2	F BSPP	ISO 1179-1	BSPP 3/8" FEMALE			2P306-1-2-38GMC
08	12,5	1/2"		0				1	3 PINS	
06	10	3/8"	3	2	F BSPP	ISO 1179-1	BSPP 3/8" FEMALE			2P306-1-2-38GFC
08	12,5	1/2"		0				1	3 PINS	
06	10	3/8"	3	2	F BSPP	ISO 1179-1	BSPP 1/2" FEMALE			2P306-1-2-12GMC
08	12,5	1/2"		0				1	3 PINS	
06	10	3/8"	3	2	F BSPP	ISO 1179-1	BSPP 1/2" FEMALE			2P306-1-2-12GFC
08	12,5	1/2"		0				1	3 PINS	

