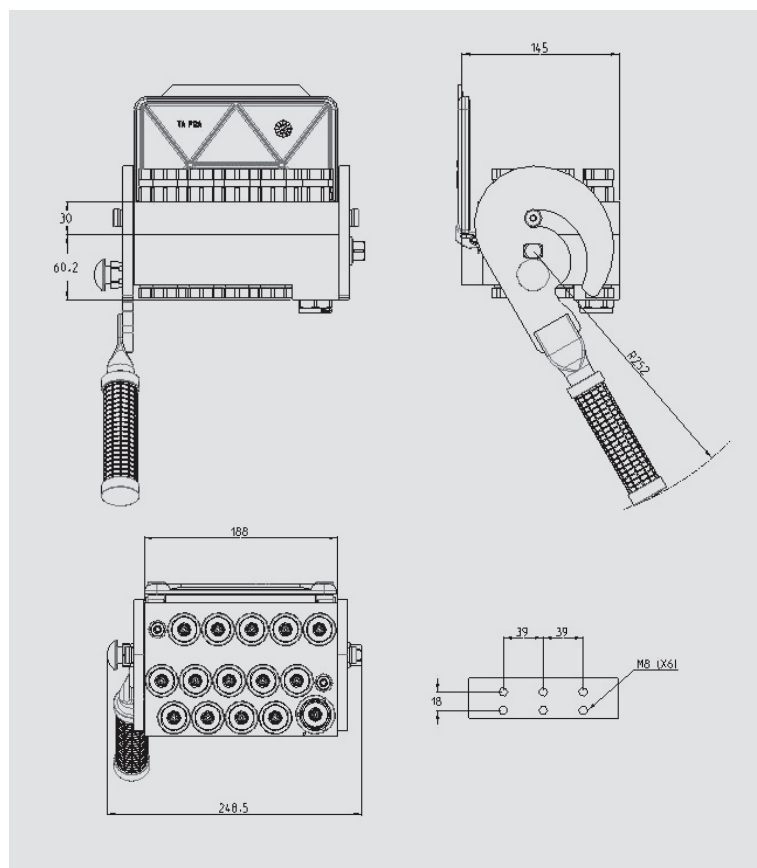


P1504



Multifaster, 15 lines, size 04.

Applications



Technical Specifications

dash	Size		Working Pressure (MPa)	Flow Rate (l/min)	Spillage (ml)	Burst pressure (MPa)		
	mm	inch				Male	Female	Male + Female
04	6,3	1/4"	25	20	0,008	100	100	100

Material	Aluminium; Steel	Valve Type	Flat
Seals	FKM	Connection	Lever
Working temperatures	- 25 °C to 100 °C	Disconnection	Lever
Surface treatment	MATE 500 (CrIII); Paint	Connection Under Pressure	Allowed Residual

P1504

Size					Thread Type					FIXED
dash	mm	inch	Housing	Number of Couplings	Thread Type	Standard	Thread	Electrical Connector N	Connector Type	Part Number
04	6,3	1/4"	15	15	F BSPP	ISO 1179-1	BSPP 1/4" FEMALE			2P1504-15-14GFC

Size					Thread Type					MOBILE
dash	mm	inch	Housing	Number of Couplings	Thread Type	Standard	Thread	Electrical Connector N	Connector Type	Part Number
04	6,3	1/4"	15	15	F BSPP	ISO 1179-1	BSPP 1/4" FEMALE			2P1504-15-14GMC

