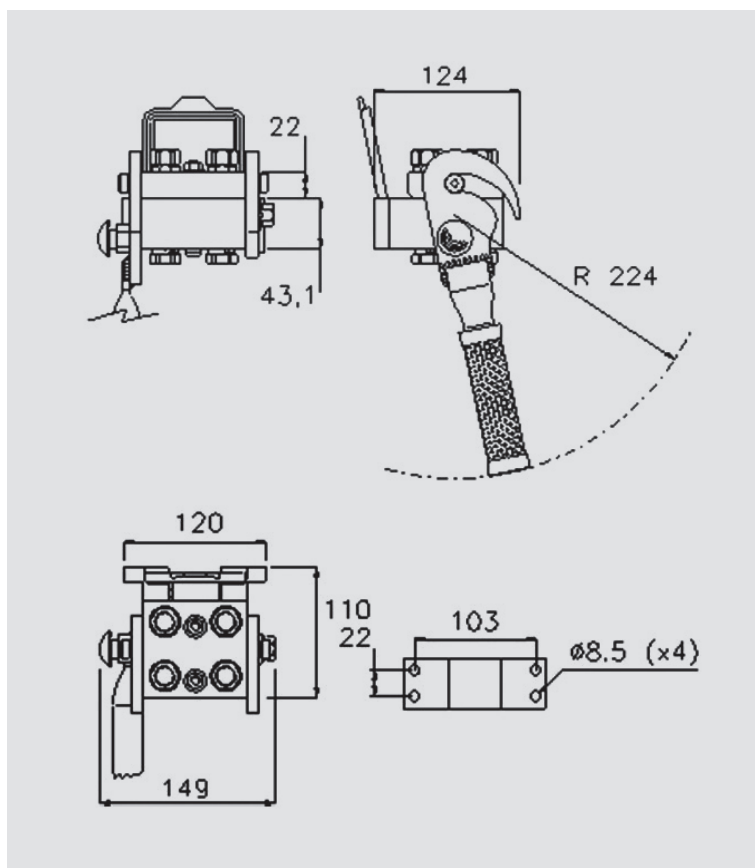


P404



Multifaster 3 lines, size 04.

Applications



Technical Specifications

dash	Size		Working Pressure (MPa)	Flow Rate (l/min)	Spillage (ml)	Burst pressure (MPa)		
	mm	inch				Male	Female	Male + Female
04	6,3	1/4"	25	20	0,008	100	100	100

Material	Aluminium; Steel
Seals	NBR; PUR
Working temperatures	- 25 °C to 100 °C
Surface treatment	MATE 500 (CrIII); Paint

Valve Type	Flat
Connection	Lever
Disconnection	Lever
Connection Under Pressure	Allowed Residual

P404

Size					Thread Type					FIXED
dash	mm	inch	Housing	Number of Couplings	Thread Type	Standard	Thread	Electrical Connector N	Connector Type	Part Number
04	6,3	1/4"	4	4	F BSPP	ISO 1179-1	BSPP 1/4" FEMALE			2P404-4-14G F C
04	6,3	1/4"	4	3	13/ SAE	ISO 8434-2	7/16"-20 UNF MALE JIC			2P404-3-A F C

Size					Thread Type					MOBILE
dash	mm	inch	Housing	Number of Couplings	Thread Type	Standard	Thread	Electrical Connector N	Connector Type	Part Number
04	6,3	1/4"	4	4	F BSPP	ISO 1179-1	BSPP 1/4" FEMALE			2P404-4-14G M C
04	6,3	1/4"	4	3	20/ BSPP	ISO 8434-6	BSPP 1/2" FEMALE SWIVEL NUT			2P404-3-A M C

