

LSV6-10-2 RNCRP

2-Way,2-Position,Normally closed
Poppet-type Solenoid Valve

DESCRIPTION

A solenoid operated, 2-way, 2-position, normally closed, poppet-type cartridge valve with reverse flow energized.

OPERATION

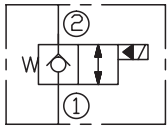
When de-energized, the valve acts as a check valve, allowing flow from ② to ①, while blocking flow from ① to ②.

When energized, the poppet lifts to open the ① to ② flow path. In this mode, flow is also allowed from ② to ①

Operation of Manual Override Option

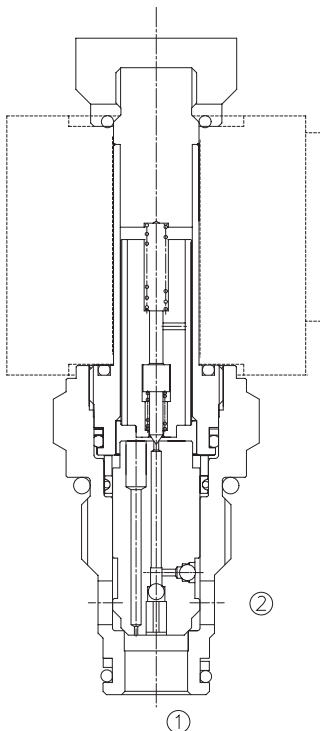
To override, push button in, twist counterclockwise 180° and release. In this position, the valve will remain open in a detented condition. To return to normal operation, push button in, twist clockwise 180° and release. Override will be detented in this position.

SYMBOL

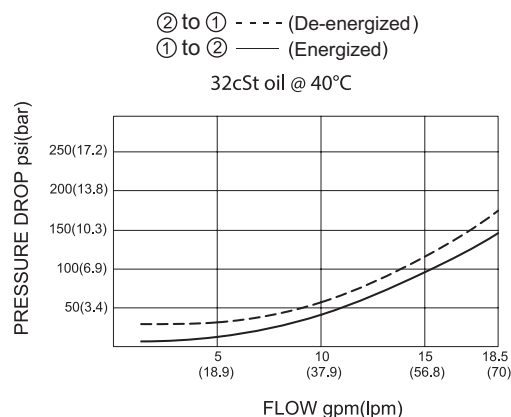


SPECIFICATIONS

Max.Operating Pressure	350bar
Flow	See PRESSURE DROP VS.FLOW graph.
Internal Leakage	3 drops/min max. at 350bar
Temperature	-40°F to +212°F(-40°C to +100°C)
Coil Duty Rating	Continuous from 85% to 115% of nominal voltage
Filtration	See page N-1
Fluids	Mineral-based fluids with viscosities of 7.4 to 420 cSt.
Cavity	10-2,See page M-2
Housing Material	Steel & Ductile iron rated to 350Bar

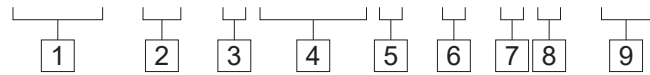


PRESSURE DROP VS.FLOW



TO ORDER

LSV6 - 10 - 2 RNCR P - * - * * - * *



- 1 Function**
LSV6=Solenoid Valve

- 2 Size**
10=10 Size

- 3 Flow Path**
2=2-Way

- 4 Style**
RNCR=Normally Closed,
Reverse Check Valve,
Reverse Flow Energized

- 5 Type**
P=Poppet

- 6 Manual Override Options**
Omit=None
M=Manual Override

- 7 Coil Voltage**
1=12 VDC
2=24 VDC
3=110 VAC
4=220 VAC

- 8 Coil Connector Type**
D= Double Lead
ER= Deutsch Connector(Water-proof Coil)
H= Hirschmann

- 9 Port Size**
Omit=None
8T=SAE 8
4G=G 1/2

※ See page K-4 for detail of housing
 ※ Other port sizes are available

INSTALLATION DIMENSIONS

Coil Must Be Installed With Letter Up

Unit=Millimeters

