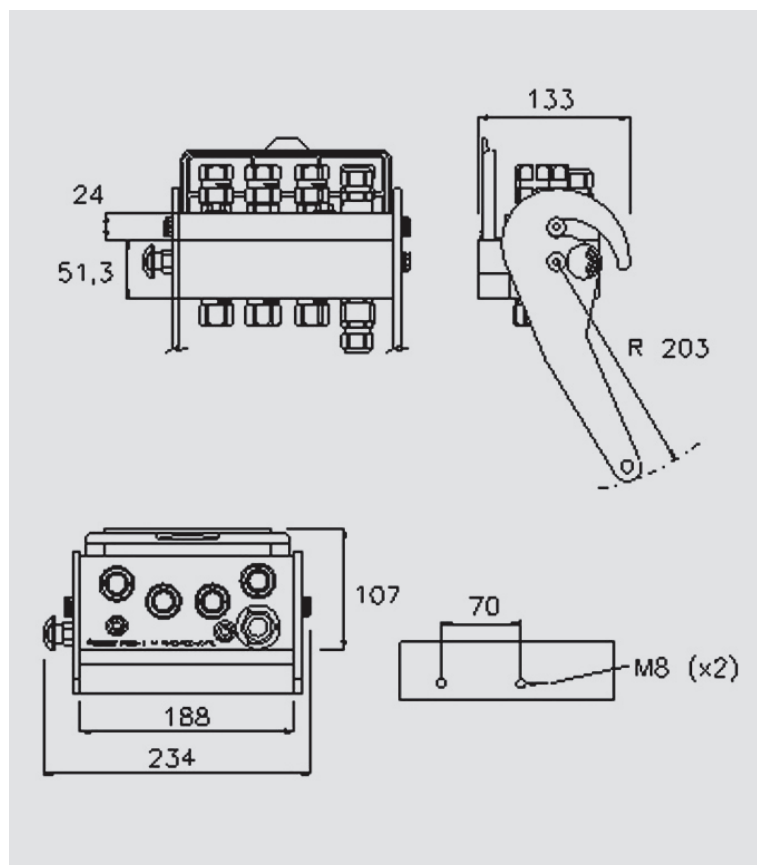


PSo6-x



Multifaster, 4 lines size o6, 1 line size o8.

Applications



Technical Specifications

dash	Size		Working Pressure (MPa)	Flow Rate (l/min)	Spillage (ml)	Burst pressure (MPa)		
	mm	inch				Male	Female	Male + Female
06	10	3/8"	25	40	0,008	100	100	100
08	12,5	1/2"	25	70	0,01	100	100	100

Material	Aluminium; Steel	Valve Type	Flat
Seals	NBR; PUR	Connection	Lever
Working temperatures	- 25 °C to 100 °C	Disconnection	Lever
Surface treatment	MATE 500 (CrIII); Paint	Connection Under Pressure	Allowed Residual

PS06-x

Size					Thread Type					FIXED
dash	mm	inch	Housing	Number of Couplings	Thread Type	Standard	Thread	Electrical Connector N	Connector Type	Part Number
06	10	3/8"	5	4	O2/ METRIC	ISO 8434-1-L	M22x1,5 MALE 15L			2PS06-A-4-2/2FC
08	12,5	1/2"		0				1	7 PINS	
06	10	3/8"	5	4	F BSPP	ISO 1179-1	BSPP 3/8" FEMALE			2PS06-1-4-38GFC
08	12,5	1/2"		0				1	3 PINS	
06	10	3/8"	5	4	F BSPP	ISO 1179-1	BSPP 1/2" FEMALE			2PS06-1-4-12GFC
08	12,5	1/2"		0				1	3 PINS	

Size					Thread Type					MOBILE
dash	mm	inch	Housing	Number of Couplings	Thread Type	Standard	Thread	Electrical Connector N	Connector Type	Part Number
06	10	3/8"	5	4	20/ BSPP	ISO 8434-6	BSPP 1/2" FEMALE SWIVEL NUT			2PS06-A-4-CMC
08	12,5	1/2"		0				1	7 PINS	
06	10	3/8"	5	4	F BSPP	ISO 1179-1	BSPP 3/8" FEMALE			2PS06-1-4-38GMC
08	12,5	1/2"		0				1	3 PINS	
06	10	3/8"	5	4	O/ SAE	ISO 11926-1	3/4"-16 UNF FEMALE ORB			2PS06-1-4-12SMC
08	12,5	1/2"		0				1	3 PINS	
06	10	3/8"	5	4	F BSPP	ISO 1179-1	BSPP 1/2" FEMALE			2PS06-1-4-12GMC
08	12,5	1/2"		0				1	3 PINS	
06	10	3/8"	5	4	O2/ METRIC	ISO 8434-1-L	M22x1,5 MALE 15L	n.a.	n.a.	2PS06-0-4-2/2MC
08	12,5	1/2"		0						
06	10	3/8"	5	4	O2/ METRIC	ISO 8434-1-L	M22x1,5 MALE 15L			2PS06-1-4-2/2MC
08	12,5	1/2"		0				1	3 PINS	
06	10	3/8"	5	4	O2/ METRIC	ISO 8434-1-L	M22x1,5 MALE 15L			2PS06-A-4-2/2MC
08	12,5	1/2"		0				1	7 PINS	
06	10	3/8"	5	4	F BSPP	ISO 1179-1	BSPP 1/2" FEMALE			2PS06-1-4-12GMC
08	12,5	1/2"		0				1	3 PINS	

