

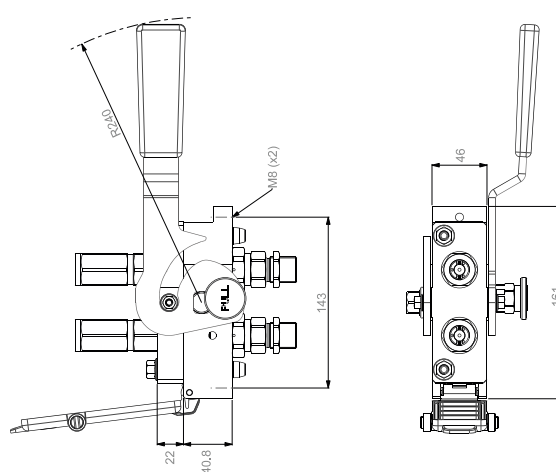
MF PC206

MultiFaster 2 lines, size o6.

MultiFaster compact. It allows connection with mobile plate or stand-alone counterpart couplings, 2 lines o6. The disconnection of stand-alone counterpart couplings is made by dedicated push buttons. This feature can be extended to all MultiFaster range.



Applications



Technical Specifications

dash	Size		Working Pressure (MPa)	Flow Rate (l/min)	Spillage (ml)	Burst pressure (MPa)		
	mm	inch				Male	Female	Male + Female
06	10	3/8"	25	40	0.008	100	100	100

Material	Aluminium; Steel
Seals	NBR; PUR
Working temperatures	- 25 °C to + 100 °C
Surface treatment	MATE 500 (CrIII); Paint

Valve Type	Flat
Connection	Lever
Disconnection	Lever
Connection Under Pressure	Allowed Residual

PC206

Size					Thread Type					FIXED
dash	mm	inch	Housing	Number of Couplings	Thread Type	Standard	Thread	Electrical Connector N	Connector Type	Part Number
06	10	3/8	2	2	07/METRIC	ISO 8434-1-L	M22X1.5 MALE BULKHEAD SHORT 15L			2PC206-2-7/22 FC

Size					Thread Type					MOBILE
dash	mm	inch	Housing	Number of Couplings	Thread Type	Standard	Thread	Electrical Connector N	Connector Type	Part Number
06	10	3/8	2	2	F BSPP	ISO 1179-1	BSPP 3/8" FEMALE			3PC206-2-38G MC

