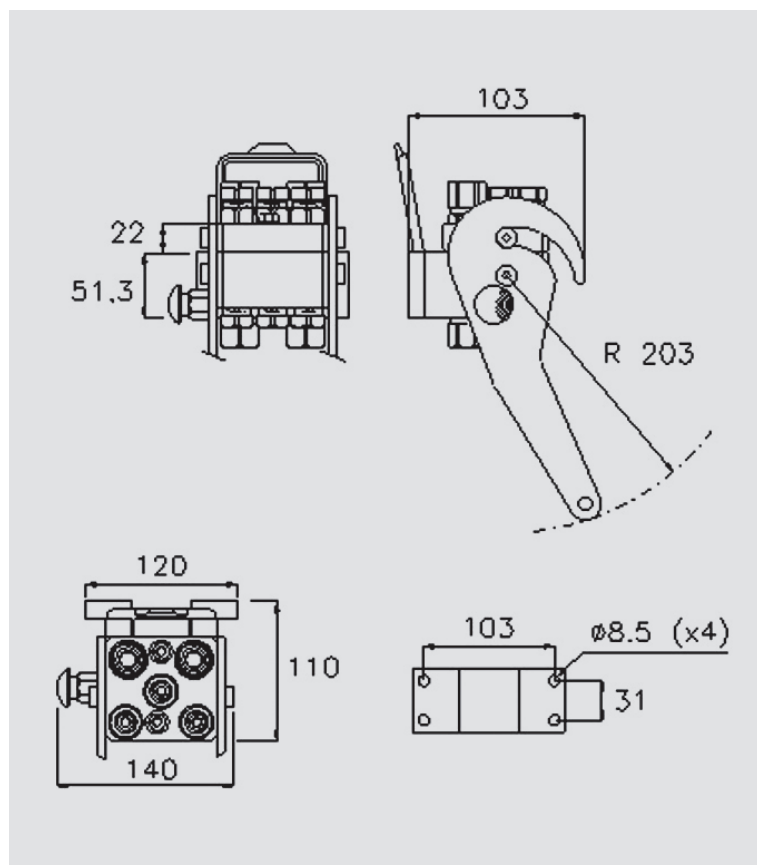


P5065



Multifaster 5 lines, 2 lines o6, 3 lines o4.

Applications



Technical Specifications

dash	Size		Working Pressure (MPa)	Flow Rate (l/min)	Spillage (ml)	Burst pressure (MPa)		
	mm	inch				Male	Female	Male + Female
04	6,3	1/4"	25	20	0,008	100	100	100
06	10	3/8"	25	40	0,008	100	100	100

Material	Aluminium; Steel	Valve Type	Flat
Seals	NBR; PUR	Connection	Lever
Working temperatures	- 25 °C to 100 °C	Disconnection	Lever
Surface treatment	MATE 500 (CrIII); Paint	Connection Under Pressure	Allowed Residual

P5065

Size					Thread Type			Electrical Connector		FIXED
dash	mm	inch	Housing	Number of Couplings	Thread Type	Standard	Thread	N	Type	Part Number
04	6,3	1/4"	5	3	F BSPP	ISO 1179-1	BSPP 1/4" FEMALE			2P5065-5-F F C
06	10	3/8"		2	F BSPP	ISO 1179-1	BSPP 1/2" FEMALE			
04	6,3	1/4"	5	2	O/ SAE	ISO 11926-1	3/4"-16 UNF FEMALE ORB			2P5065-4-A F C
06	10	3/8"		2	O/ SAE	ISO 11926-1	9/16"-18 UNF FEMALE ORB			
04	6,3	1/4"	5	1	O/ SAE	ISO 11926-1	9/16"-18 UNF FEMALE ORB			2P5065-3-A1 F C
06	10	3/8"		2	O/ SAE	ISO 11926-1	3/4"-16 UNF FEMALE ORB			
04	6,3	1/4"	5	2	O/ SAE	ISO 11926-1	3/4"-16 UNF FEMALE ORB			2P5065-2-A F C
06	10	3/8"		0						
04	6,3	1/4"	5	2	F BSPP	ISO 1179-1	BSPP 1/4" FEMALE			2P5065-2-14G FC
06	10	3/8"		0						
04	6,3	1/4"	5	0						2P5065-2-12G FC
06	10	3/8"		2	F BSPP	ISO 1179-1	BSPP 1/2" FEMALE			
04	6,3	1/4"	5	3	O/ SAE	ISO 11926-1	9/16"-18 UNF FEMALE ORB			2P5065-5-A F C
06	10	3/8"		2	O/ SAE	ISO 11926-1	3/4"-16 UNF FEMALE ORB			
04	6,3	1/4"	5	3	O/ SAE	ISO 11926-1	9/16"-18 UNF FEMALE ORB			2P5065-3-A F C
06	10	3/8"		0						

Size					Thread Type			Electrical Connector		MOBILE
dash	mm	inch	Housing	Number of Couplings	Thread Type	Standard	Thread	N	Type	Part Number
04	6,3	1/4"	5	3	F BSPP	ISO 1179-1	BSPP 1/4" FEMALE			3P5065-5-F M C
06	10	3/8"		2	F BSPP	ISO 1179-1	BSPP 3/8" FEMALE			
04	6,3	1/4"	5	3	O/ SAE	ISO 11926-1	9/16"-18 UNF FEMALE ORB			3P5065-5-A M C
06	10	3/8"		2	O/ SAE	ISO 11926-1	3/4"-16 UNF FEMALE ORB			
06	10	3/8"	5	2	O/ SAE	ISO 11926-1	9/16"-18 UNF FEMALE ORB			3P5065-4-A M C
04	6,3	1/4"		2	O/ SAE	ISO 11926-1	3/4"-16 UNF FEMALE ORB			
04	6,3	1/4"	5	3	O/ SAE	ISO 11926-1	9/16"-18 UNF FEMALE ORB			3P5065-3-38S MC
06	10	3/8"		0						

