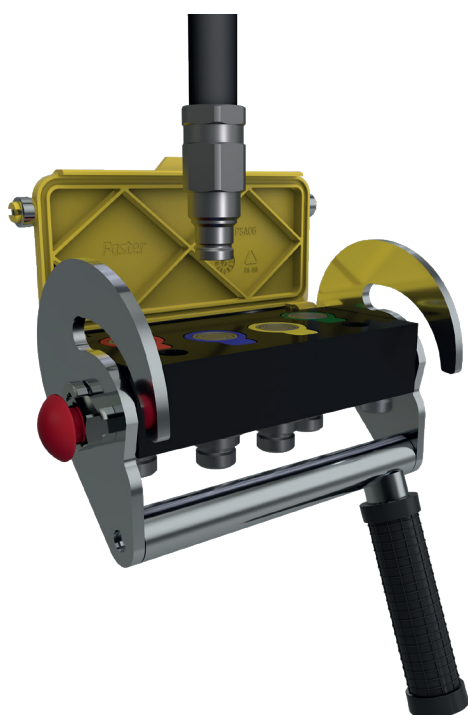




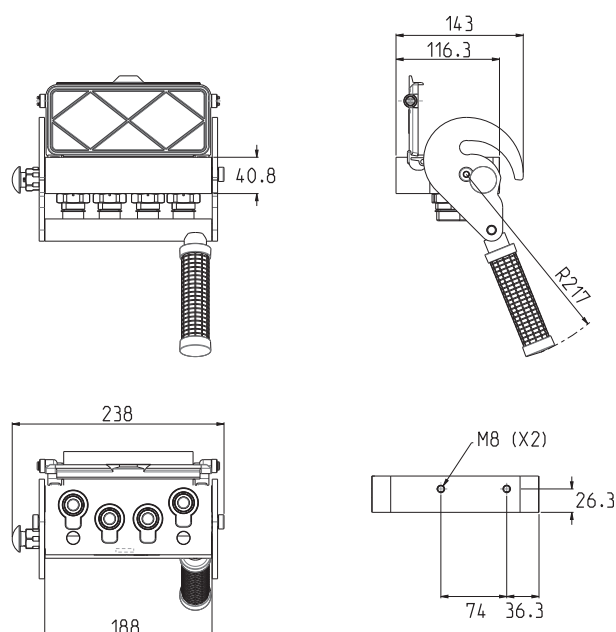
MF PSA06

MultiFaster 4 lines, size o6. Possible to connect single lines.

MultiFaster 4 lines size o6. Thanks to the special configuration, it is possible to connect the fixed half to single lines (ISO 16028) instead of mobile half. Interchangeable with standard MultiFaster PSo6.



Applications



Technical Specifications

dash	Size		Working Pressure (MPa)	Flow Rate (l/min)	Spillage (ml)	Burst pressure (MPa)		
	mm	inch				Male	Female	Male + Female
06	10	3/8"	25	40	0.008	100	100	100

Material	Aluminium; Steel
Seals	NBR; PUR
Working temperatures	- 25 °C to + 100 °C
Surface treatment	MATE 500 (CrIII); Paint

Valve Type	Flat
Connection	Lever
Disconnection	Lever
Connection Under Pressure	Allowed Residual

PSA06

Size					Thread Type					FIXED
dash	mm	inch	Housing	Number of Couplings	Thread Type	Standard	Thread	Electrical Connector N	Connector Type	Part Number
06	10	3/8"	4	4	02/ METRIC	ISO 8434-1-L	M22x1.5 MALE 15L			2PSA06-4-2/22FC

Size					Thread Type					MOBILE
dash	mm	inch	Housing	Number of Couplings	Thread Type	Standard	Thread	Electrical Connector N	Connector Type	Part Number
06	10	3/8"	4	4	F BSPP	ISO 1179-1	BSPP 3/8" FEMALE			2PS06-4-38G M C
06	10	3/8"	4	4	20/ BSPP	ISO 8434-6	BSPP 1/2" FEMALE SWIVEL NUT			2PS06-4-20/12MC
06	10	3/8"	4	4	16/ BSPP	ISO 1179-1	BSPP 3/8" FEMALE			2PS06-4-16/3GMC
06	10	3/8"	4	4	11/ SAE	ISO 8434-3	13/16"-16 UN MALE ORFS			2PS06-4-11/FSMC
06	10	3/8"	4	2	02/ METRIC	ISO 8434-1-L	M22x1,5 MALE 15L			2PS06-2-2/22M C
06	10	3/8"	4	4	F BSPP	ISO 1179-1	BSPP 1/2" FEMALE			2PS06-4-12G M C
06	10	3/8"	4	4	02/ METRIC	ISO 8434-1-L	M22x1,5 MALE 15L			2PS06-4-2/22M C

