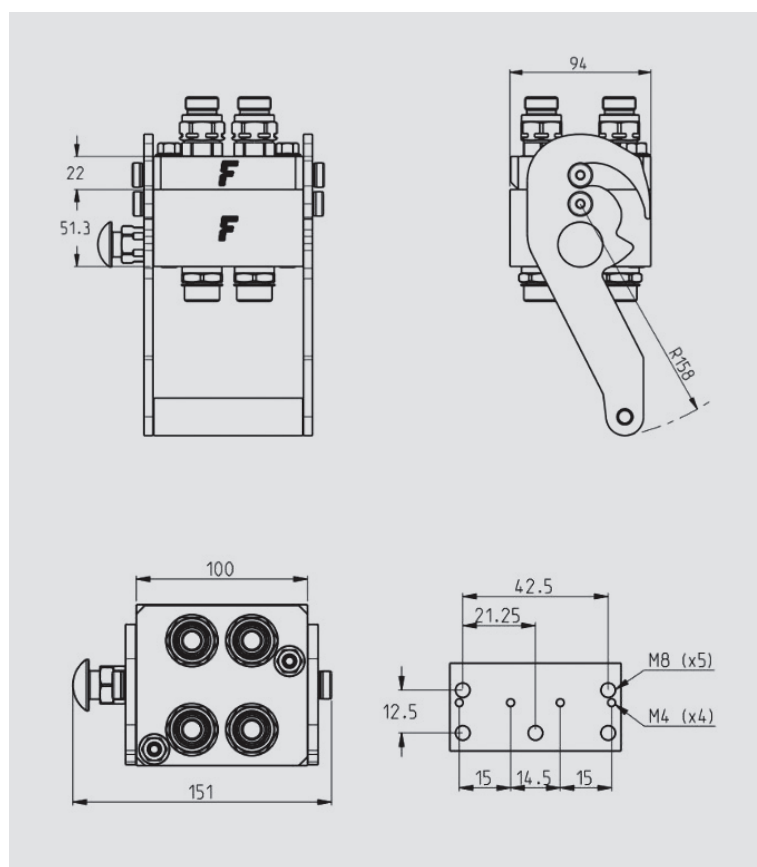


P406A



Multifaster 4 lines, size o6.

Applications



Technical Specifications

dash	Size		Working Pressure (MPa)	Flow Rate (l/min)	Spillage (ml)	Burst pressure (MPa)		
	mm	inch				Male	Female	Male + Female
06	10	3/8"	25	40	0,008	100	100	100

Material	Aluminium; Steel	Valve Type	Flat
Seals	NBR; PUR	Connection	Lever
Working temperatures	- 25 °C to 100 °C	Disconnection	Lever
Surface treatment	MATE 500 (CrIII); Paint	Connection Under Pressure	Allowed Residual

P406A

Size					Thread Type					FIXED
dash	mm	inch	Housing	Number of Couplings	Thread Type	Standard	Thread	Electrical Connector N	Connector Type	Part Number
06	10	3/8"	4	4	11/ SAE	ISO 8434-3	11/16"-16 UN MALE ORFS			2P406A-4-A F C
06	10	3/8"	4	4	02/ METRIC	ISO 8434-1	M18x1,5 MALE 12L			2P406A-4-2/18FC

Size					Thread Type					MOBILE
dash	mm	inch	Housing	Number of Couplings	Thread Type	Standard	Thread	Electrical Connector N	Connector Type	Part Number
06	10	3/8"	4	4	11/ SAE	ISO 8434-3	11/16"-16 UN MALE ORFS			3P406A-4-A M C
06	10	3/8"	4	4	02/ METRIC	ISO 8434-1	M18x1,5 MALE 12L			2P406A-4-2/18MC

