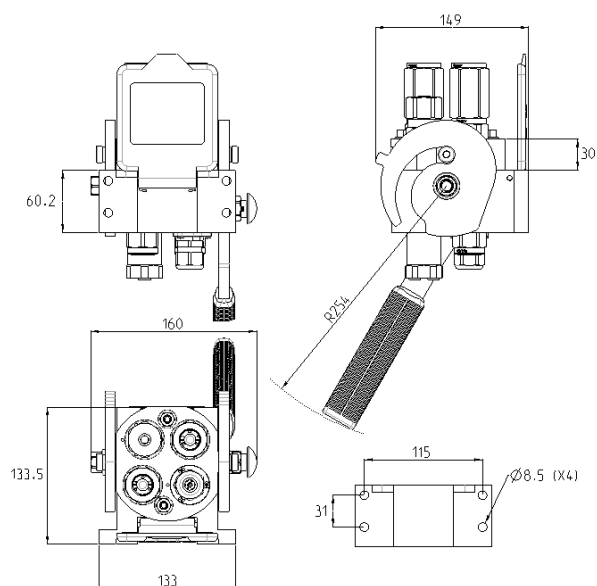


# MF MultiGrease

MultiFaster with a special coupling for central lubrication systems and an electrical connector included.



## Applications



## Technical Specifications

dash	Size		Working Pressure (MPa)	Flow Rate (l/min)	Spillage (ml)	Burst pressure (MPa)		
	mm	inch				Male	Female	Male + Female
08	12,5	1/2"	25	70	0,01	100	100	110

Material	<b>Aluminium; Steel</b>
Seals	<b>NBR; PUR</b>
Working temperatures	<b>- 25 ° C + 100 ° C</b>
Surface treatment	<b>Mate 500 (CrIII) Paint</b>

Valve Type	<b>Flat</b>
Connection	<b>Lever</b>
Disconnection	<b>Lever</b>
Connection Under Pressure	<b>Allowed Residual</b>

# MultiGrease

Size					Thread Type					FIXED
dash	mm	inch	Housing	Number of Couplings	Thread Type	Standard	Thread	Electrical Connector N	Electrical Connector Type	Part Number
08	1/2"	12,5	4	2	F BSPP	ISO 1179-1	BSPP 1/2" FEMALE			3P508-A-2-1-A FC
08	1/2"	12,5	4	1*	F BSPP	ISO 1179-1	BSPP 1/8" FEMALE			
					F BSPP	ISO 1179-1	BSPP 1/8" FEMALE			
08	1/2"	12,5	4					1	7 pins	

Size					Thread Type					MOBILE
dash	mm	inch	Housing	Number of Couplings	Thread Type	Standard	Thread	Electrical Connector N	Electrical Connector Type	Part Number
08	1/2"	12,5	4	2	F BSPP	ISO 1179-1	BSPP 1/2" FEMALE			3P508-A-3-A MC
08	1/2"	12,5	4	1*	F BSPP	ISO 1179-1	BSPP 1/8" FEMALE			
					08	1/2"	12,5	1	7	

\*grease line

