

# LSV6-16-2 NOP

2-Way,2-Position,Normally open  
Poppet-type Solenoid Valve

## DESCRIPTION

A solenoid operated, 2-way, 2-position, normally open, poppet-type cartridge valve

## OPERATION

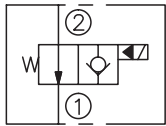
When de-energized, the valve allows flow from ② to ① . Flow from ① to ② is severely restricted in this mode.

When energized the valve' s poppet closes on its seat, blocking flow from ② to ① . The cartridge will allow ① to ② flow after overcoming the solenoid force.

## Operation of Manual Override Option

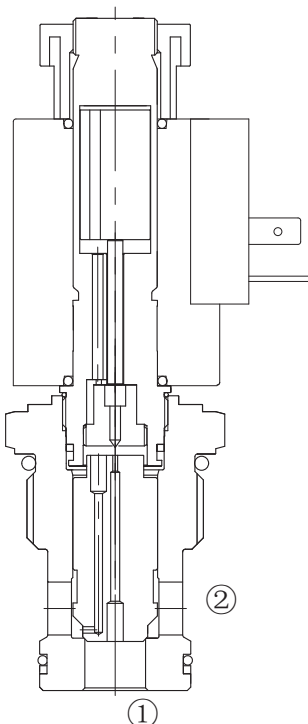
To override, push button in to activate. To return to normal valve function, release button.

## SYMBOL

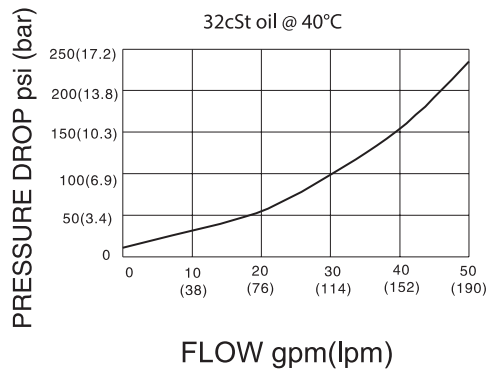


## SPECIFICATIONS

Max.Operating Pressure	350bar
Flow	See PRESSURE DROP VS.FLOW graph.
Internal Leakage	3 drops/min max. at 350bar
Temperature	-40°F to +212°F(-40°C to +100°C)
Coil Duty Rating	Continuous from 85% to 115% of nominal voltage
Filtration	See page N-1
Fluids	Mineral-based fluids with viscosities of 7.4 to 420 cSt.
Cavity	16-2,See page M-3
Housing Material	Steel & Ductile iron rated to 350bar

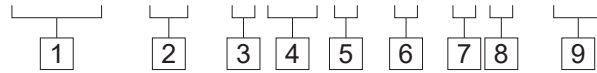


## PRESSURE DROP VS.FLOW



**TO ORDER**

**LSV6 - 16 - 2 NO P - \* - \* \* - \* \***



<p><b>1 Function</b> LSV6=Solenoid Valve</p>	<p><b>7 Coil Voltage</b> 1=12 VDC 2=24 VDC 3=110 VAC 4=220 VAC 7=48 VDC 8=24 VAC 9=72 VDC</p>	<p><b>9 Port Size</b> Omit=None 10T=SAE 10 12T=SAE 12 6G=G 3/4 8G=G 1</p>
<p><b>2 Size</b> 16=16 Size</p>	<p><b>8 Coil Connector Type</b> D= Double Lead S= Single Lead B= Double Spade ER= Deutsch Connector(Water-proof Coil) H= Hirschmann</p>	<p>※ See page K-9 for detail of housing ※ Other port sizes are available</p>
<p><b>3 Flow Path</b> 2=2-Way</p>		
<p><b>4 Style</b> NO=Normally Open</p>		
<p><b>5 Type</b> P=Poppet</p>		
<p><b>6 Manual Override Options</b> Omit=None M=Manual Override</p>		

**INSTALLATION DIMENSIONS**

Coil Must Be Installed With Letter Up

Unit=Millimeters

