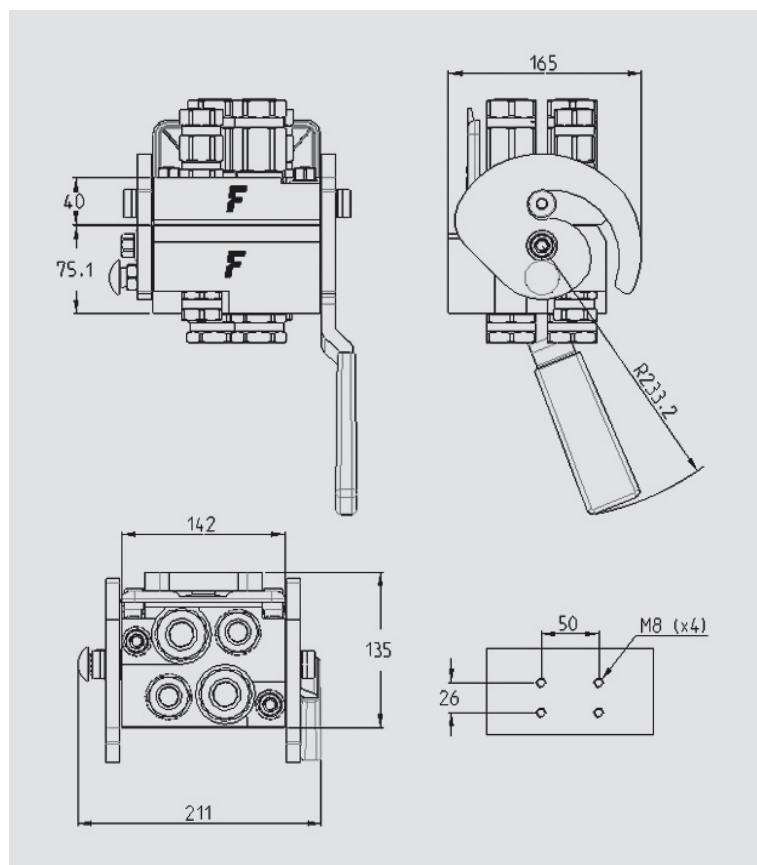
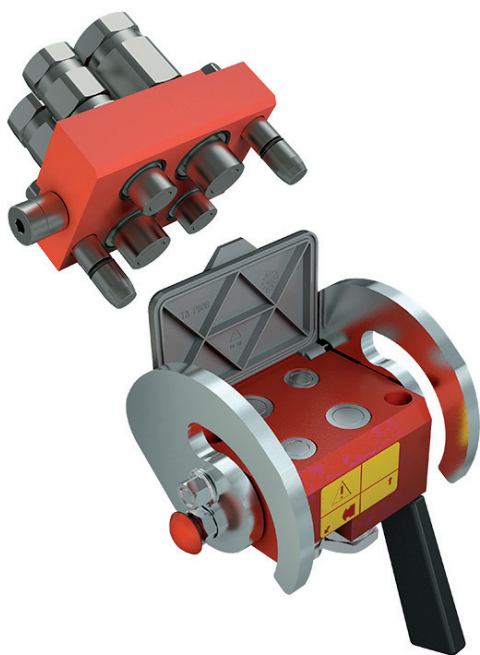


# PH510



Multifaster, high pressure version, 2 lines size 08,  
2 lines size 12.

## Applications



## Technical Specifications

dash	Size		Working Pressure (MPa)	Flow Rate (l/min)	Spillage (ml)	Burst pressure (MPa)		
	mm	inch				Male	Female	Male + Female
08	12,5	1/2"	46	60	0,01	138	138	138
12	20	3/4"	46	105	0,02	138	138	138

Material	<b>Aluminium; Steel</b>	Valve Type	<b>Flat</b>
Seals	<b>NBR; PUR</b>	Connection	<b>Lever</b>
Working temperatures	<b>- 25 °C to 100 °C</b>	Disconnection	<b>Lever</b>
Surface treatment	<b>MATE 1000 (ZnNi); Paint</b>	Connection Under Pressure	<b>Allowed Residual</b>

# PH510

Size					Thread Type					FIXED
dash	mm	inch	Housing	Number of Couplings	Thread Type	Standard	Thread	Electrical Connector N	Connector Type	Part Number
08	12,5	1/2"	4	2	F BSPP	ISO 1179-1	BSPP 1/2" FEMALE			PH510-4-A F C
12	20	3/4"			F BSPP	ISO 1179-1	BSPP 3/4" FEMALE			

Size					Thread Type					MOBILE
dash	mm	inch	Housing	Number of Couplings	Thread Type	Standard	Thread	Electrical Connector N	Connector Type	Part Number
08	12,5	1/2"	4	2	F BSPP	ISO 1179-1	BSPP 1/2" FEMALE			3PH510-4-A M C
12	20	3/4"			F BSPP	ISO 1179-1	BSPP 3/4" FEMALE			

