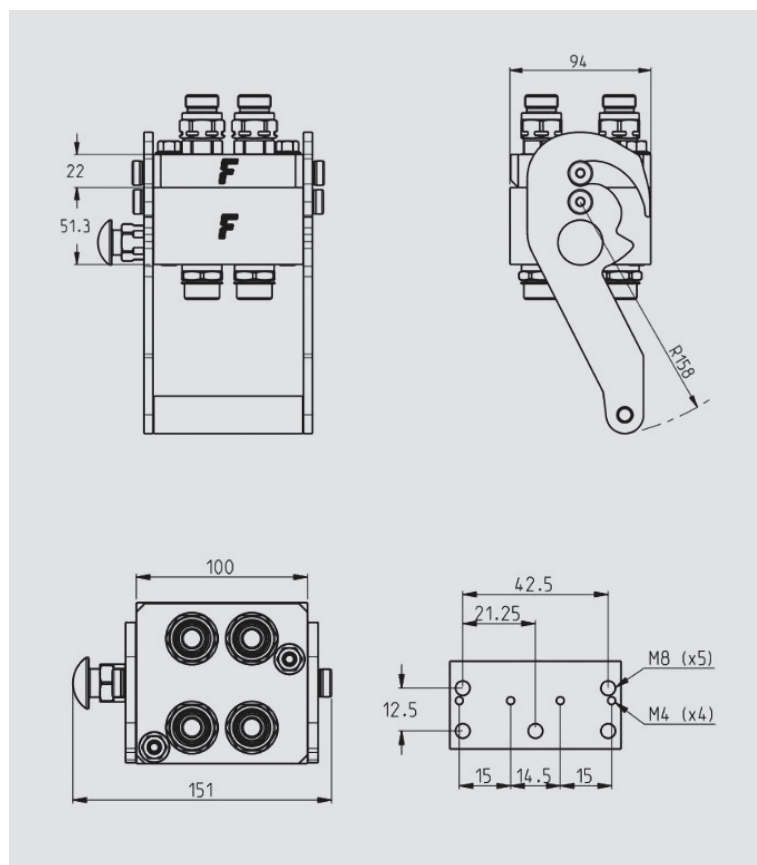


# P412



Multifaster 4 lines, size 12.

Applications



## Technical Specifications

dash	Size		Working Pressure (MPa)	Flow Rate (l/min)	Spillage (ml)	Burst pressure (MPa)		
	mm	inch				Male	Female	Male + Female
12	20	3/4"	25	105	0,02	100	100	100

Material	<b>Aluminium; Steel</b>	Valve Type	<b>Flat</b>
Seals	<b>NBR; PUR</b>	Connection	<b>Lever</b>
Working temperatures	<b>- 25 °C to 100 °C</b>	Disconnection	<b>Lever</b>
Surface treatment	<b>MATE 500 (CrIII); Paint</b>	Connection Under Pressure	<b>Allowed Residual</b>

# P412

Size					Thread Type					FIXED
dash	mm	inch	Housing	Number of Couplings	Thread Type	Standard	Thread	Electrical Connector N	Connector Type	Part Number
12	20	3/4"	4	4	F BSPP	ISO 1179-1	BSPP 3/4" FEMALE			3P412-4-34G F C

Size					Thread Type					MOBILE
dash	mm	inch	Housing	Number of Couplings	Thread Type	Standard	Thread	Electrical Connector N	Connector Type	Part Number
12	20	3/4"	4	4	F BSPP	ISO 1179-1	BSPP 3/4" FEMALE			3P412-4-34G M C

