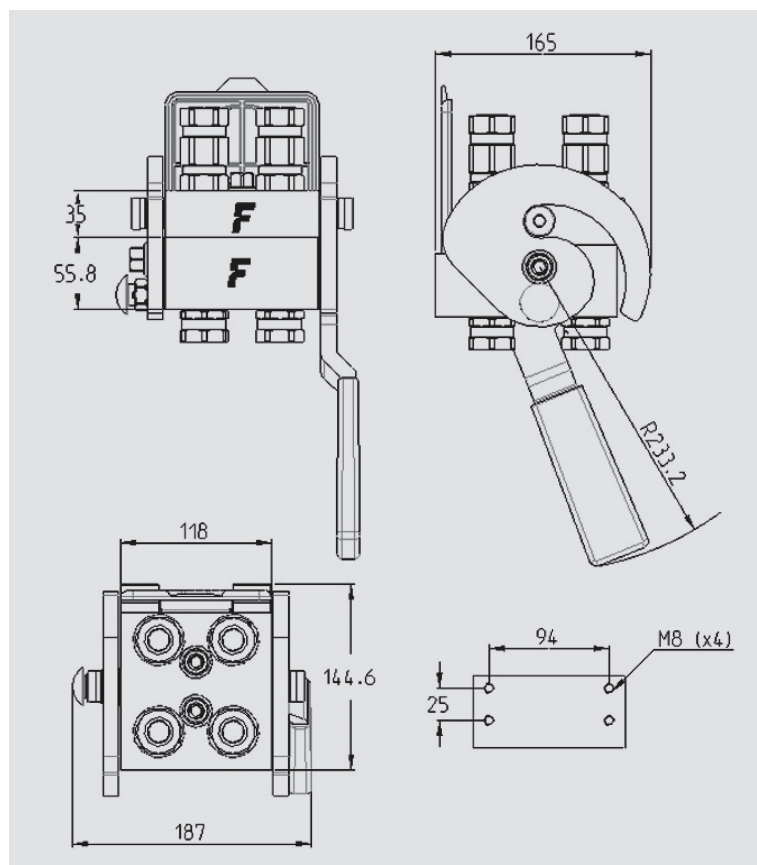
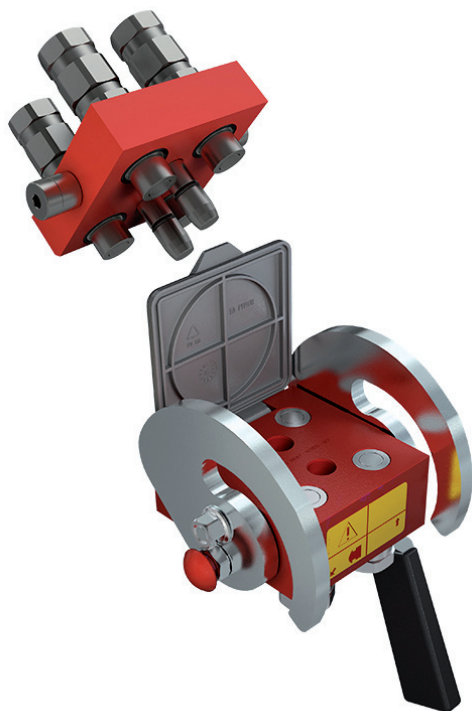


# PH408



Multifaster, high pressure version, 4 lines size 08.

## Applications



## Technical Specifications

dash	Size		Working Pressure (MPa)	Flow Rate (l/min)	Spillage (ml)	Burst pressure (MPa)		
	mm	inch				Male	Female	Male + Female
08	12,5	1/2"	46	60	0,01	138	138	138

Material	Aluminium; Steel	Valve Type	Flat
Seals	NBR; PUR	Connection	Lever
Working temperatures	- 25 °C to 100 °C	Disconnection	Lever
Surface treatment	MATE 1000 (ZnNi); Paint	Connection Under Pressure	Allowed Residual

# PH408

Size					Thread Type					FIXED
dash	mm	inch	Housing	Number of Couplings	Thread Type	Standard	Thread	Electrical Connector N	Connector Type	Part Number
08	12,5	1/2"	4	4	F BSPP	ISO 1179-1	BSPP 1/2" FEMALE			PH408-4-12G F C

Size					Thread Type					MOBILE
dash	mm	inch	Housing	Number of Couplings	Thread Type	Standard	Thread	Electrical Connector N	Connector Type	Part Number
08	12,5	1/2"	4	4	F BSPP	ISO 1179-1	BSPP 1/2" FEMALE			3PH408-4-12G MC

