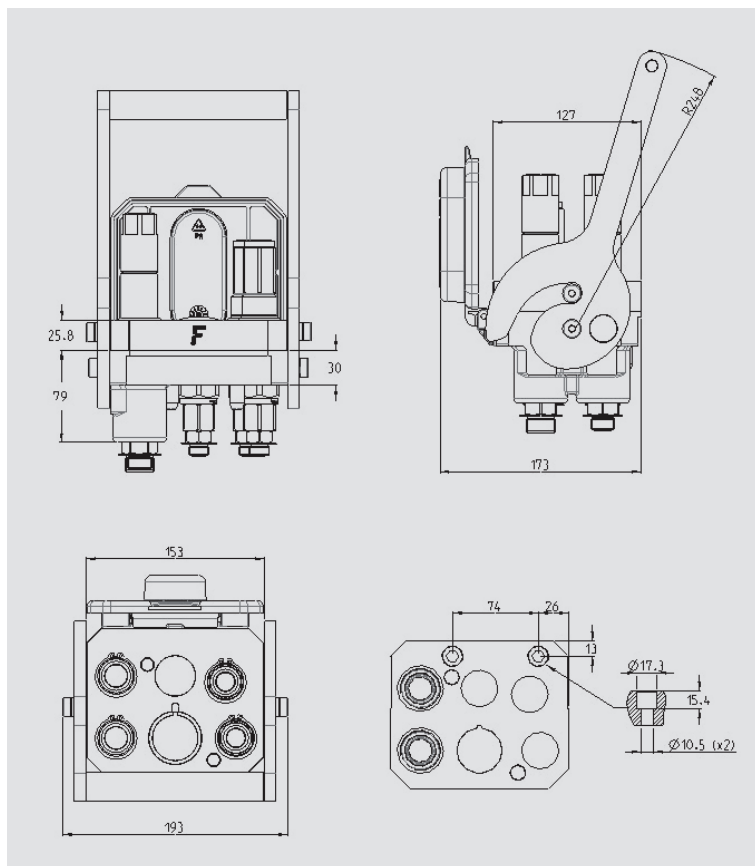


PLV



Multifaster for harvesting application, 3 lines size 06,
2 lines size 09.

Applications



Technical Specifications

dash	Size		Working Pressure (MPa)	Flow Rate (l/min)	Spillage (ml)	Burst pressure (MPa)		
	mm	inch				Male	Female	Male + Female
06	10	3/8"	25	20	0,02	100	69	88
09	14,3	9/16"	25	35	0,02	100	69	88

Material	Cast Iron; Steel	Valve Type	Flat
Seals	NBR; PUR	Connection	Lever
Working temperatures	- 25 °C to 100 °C	Disconnection	Lever
Surface treatment	MATE 500 (CrIII)	Connection Under Pressure	Allowed Male Half up to W.P.

PLV

Size					Thread Type					FIXED
dash	mm	inch	Housing	Number of Couplings	Thread Type	Standard	Thread	Electrical Connector N	Connector Type	Part Number
06	10	3/8"	6	3	11/ SAE	ISO 8434-3	11/16"-16 UN MALE ORFS			3PLV-0-5-B F C
09	14,3	9/16"		1	11/ SAE	ISO 8434-3	13/16"-16 UN MALE ORFS			
				1			1"-14 UNS MALE ORFS			
06	10	3/8"	6	3	11/ SAE	ISO 8434-3	11/16"-16 UN MALE ORFS			3PLV-0-5-A F C
09	14,3	9/16"		1	11/ SAE	ISO 8434-3	13/16"-16 UN MALE ORFS			
				1			1"-14 UNS MALE ORFS			

Size					Thread Type					MOBILE
dash	mm	inch	Housing	Number of Couplings	Thread Type	Standard	Thread	Electrical Connector N	Connector Type	Part Number
06	10	3/8"	6	3	11/ SAE	ISO 8434-3	11/16"-16 UN MALE ORFS			3PLV-0-5-A M C
09	14,3	9/16"		1	11/ SAE	ISO 8434-3	13/16"-16 UN MALE ORFS			
				1			1"-14 UNS MALE ORFS			
06	10	3/8"	6	2	0/ SAE	ISO 11926-1	3/4"-16 UNF FEMALE ORB			3PLV-0-4-A M C
09	14,3	9/16"		2	0/ SAE	ISO 11926-1	7/8"-14 UNF FEMALE ORB			
06	10	3/8"	6	2	11/ SAE	ISO 8434-3	11/16"-16 UN MALE ORFS			3PLV-0-2-A M C
09	14,3	9/16"		0						

