

# LSV2-10-2 NOP

2-Way,2-Position,Normally open  
Poppet-type Solenoid Valve

## DESCRIPTION

A solenoid operated, 2-way, 2-position, normally open, poppet-type cartridge valve.

## OPERATION

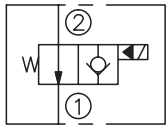
When de-energized, the valve allows flow from ② to ① . Flow from ① to ② is severely restricted in this mode.

When energized the valve' s poppet closes on its seat, blocking flow from ② to ① . The cartridge will allow ① to ② flow after overcoming the solenoid force.

## Operation of Manual Override Option

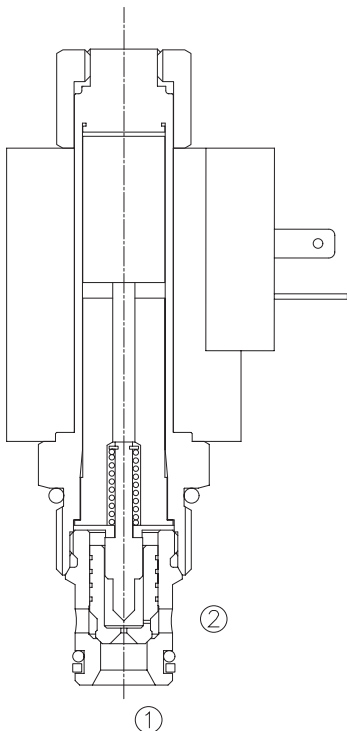
To override, push button in to activate. To return to normal valve function, release button.

## SYMBOL

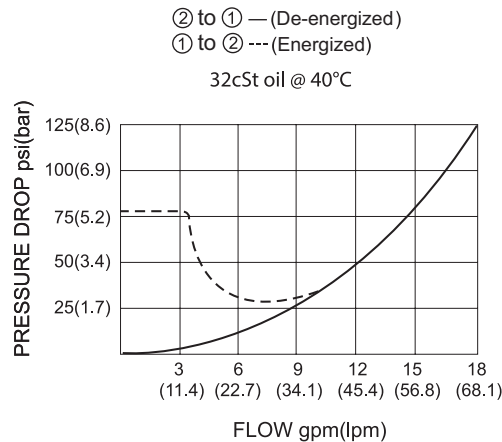


## SPECIFICATIONS

Max.Operating Pressure	207bar
Flow	See PRESSURE DROP VS.FLOW graph.
Internal Leakage	3 drops/min max. at 207bar
Temperature	-40°F to +212°F(-40°C to +100°C)
Coil Duty Rating	Continuous from 85% to 115% of nominal voltage
Filtration	See page N-1
Fluids	Mineral-based fluids with viscosities of 7.4 to 420 cSt.
Cavity	10-2,See page M-2
Housing Material	6061-T6 aluminum alloy rated to 207bar, Steel & Ductile iron rated to 350bar



## PRESSURE DROP VS.FLOW



**TO ORDER**

**LSV2 - 10 - 2 NO P - \* - \* \* - \* \***

┌───┐
┌──┐
┌──┐
┌──┐
┌──┐
┌──┐
┌──┐
┌──┐
┌──┐

1
2
3
4
5
6
7
8
9

- 1 Function**  
LSV2=Solenoid Valve
- 2 Size**  
10=10
- 3 Flow Path**  
2=2-Way
- 4 Style**  
NO=Normally Open
- 5 Type**  
P=Poppet
- 6 Manual Override Options**  
Omit=None  
M=Manual Override

- 7 Coil Voltage**  
1=12 VDC  
2=24 VDC  
3=110 VAC  
4=220 VAC  
5=10 VDC
- 8 Coil Connector Type**  
D= Double Lead  
H= Hirschmann  
C= Conduit  
ER= Deutsch Connector(Water-proof Coil)  
B= Double Spade

- 9 Port Size**  
Omit=None  
6T=SAE 6  
8T=SAE 8  
3G=G 3/8  
4G=G 1/2
- ※ See page K-4 for detail of housing
- ※ Other port sizes are available

**INSTALLATION DIMENSIONS**

Coil Must Be Installed With Letter Up

Unit=Millimeters

