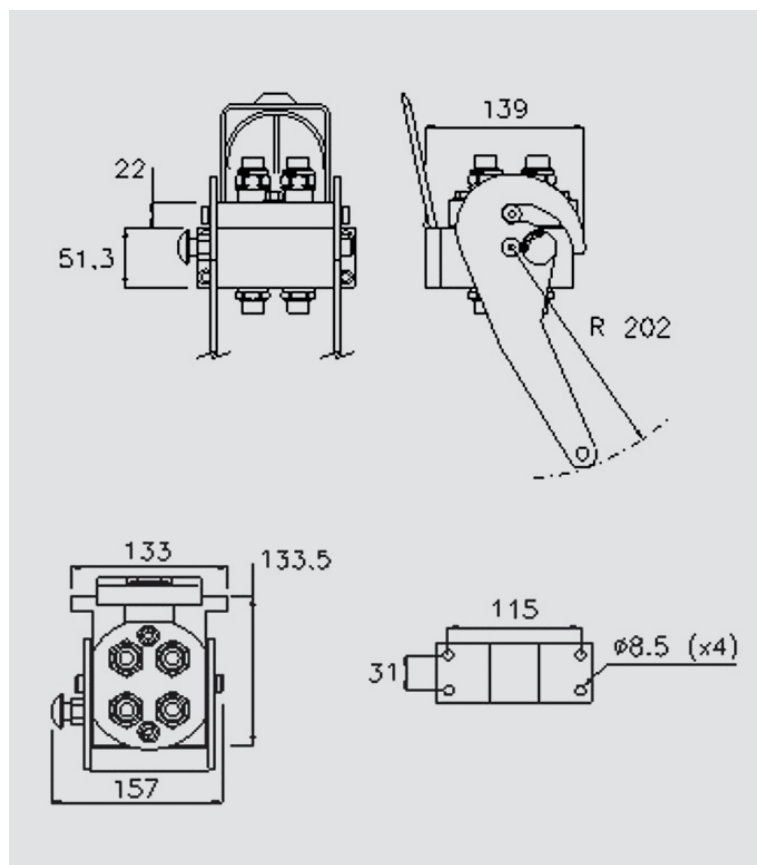


P506



Multifaster 4 lines, size o6.

Applications



Technical Specifications

dash	Size		Working Pressure (MPa)	Flow Rate (l/min)	Spillage (ml)	Burst pressure (MPa)		
	mm	inch				Male	Female	Male + Female
06	10	3/8"	25	40	0,008	100	100	100

Material	Aluminium; Steel	Valve Type	Flat
Seals	NBR; PUR	Connection	Lever
Working temperatures	- 25 °C to 100 °C	Disconnection	Lever
Surface treatment	MATE 500 (CrIII); Paint	Connection Under Pressure	Allowed Residual

P506

Size					Thread Type			Electrical Connector		FIXED
dash	mm	inch	Housing	Number of Couplings	Thread Type	Standard	Thread	N	Type	Part Number
06	10	3/8"	4	4	03/ METRIC	ISO 8434-1-S	M20x1.5 MALE 12S			2P506-4-3/20F C
06	10	3/8"	4	4	02/ METRIC	ISO 8434-1-L	M18x1,5 MALE 12L			2P506-4-2/18F C
06	10	3/8"	4	3	F BSPP	ISO 1179-1	BSPP 3/8" FEMALE			2P506-3-38G F C
06	10	3/8"	4	4	02/ METRIC	ISO 8434-1-L	M22x1,5 MALE 15L			2P506-4-2/22F C
06	10	3/8"	4	4	F BSPP	ISO 1179-1	BSPP 3/8" FEMALE			2P506-4-38G F C
06	10	3/8"	4	4	F BSPP	ISO 1179-1	BSPP 1/2" FEMALE			2P506-4-12G F C

Size					Thread Type			Electrical Connector		MOBILE
dash	mm	inch	Housing	Number of Couplings	Thread Type	Standard	Thread	N	Type	Part Number
06	10	3/8"	4	4	03/ METRIC	ISO 8434-1-S	M20x1.5 MALE 12S			3P506-4-3/20M C
06	10	3/8"	4	4	0/ SAE	ISO 11926-1	3/4"-16 UNF FEMALE ORB			3P506-4-12S M C
06	10	3/8"	4	4	F BSPP	ISO 1179-1	BSPP 1/2" FEMALE			3P506-4-12G M C
06	10	3/8"	4	4	F NPTF	ANSI B1.20.3	NPTF 3/8" FEMALE			2P506-4-38N M C
06	10	3/8"	4	4	02/ METRIC	ISO 8434-1-L	M18x1,5 MALE 12L			2P506-4-2/18M C
06	10	3/8"	4	3	F BSPP	ISO 1179-1	BSPP 3/8" FEMALE			2P506-3-38G M C
06	10	3/8"	4	4	F BSPP	ISO 1179-1	BSPP 3/8" FEMALE			3P506-4-38G M C
06	10	3/8"	4	4	F BSPP	ISO 1179-1	BSPP 3/8" FEMALE			2P506-4-38G M C
06	10	3/8"	4	4	02/ METRIC	ISO 8434-1-L	M22x1,5 MALE 15L			2P506-4-2/22M C
06	10	3/8"	4	4	F BSPP	ISO 1179-1	BSPP 1/2" FEMALE			2P506-4-12G M C

