

# LSV2-12-2 NORP

2-Way,2-Position,Normally open  
Poppet-type Solenoid Valve

## DESCRIPTION

A solenoid operated, 2-way, 2-position, normally open, poppet-type cartridge valve with reverse flow de-energized.

## OPERATION

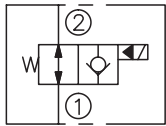
When de-energized, the poppet lifts to open flow from ② to ① . Flow is also open from ① to ② .

When energized ,the cartridge acts as a check valve, allowing flow from ① to ② while blocking flow from ② to ① , after overcoming the solenoid force (requires 3.4 to 10.3 bar [50 to 150 psi]).

## Operation of Manual Override Option

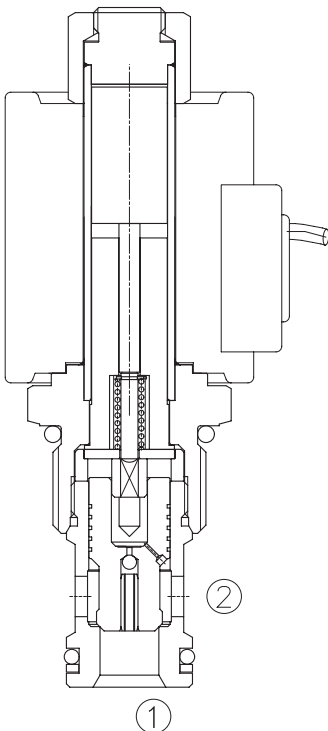
To override, push button in to activate. To return to normal valve function, release button.

## SYMBOL

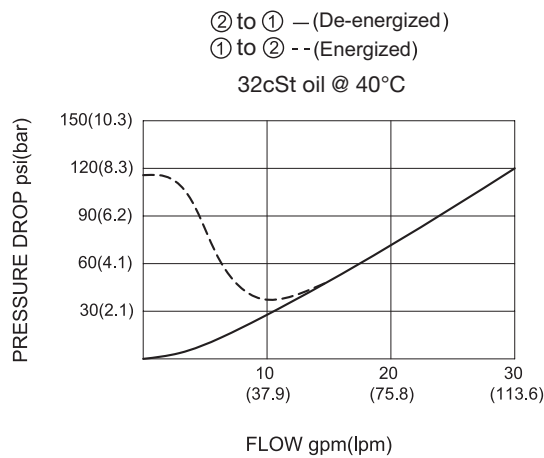


## SPECIFICATIONS

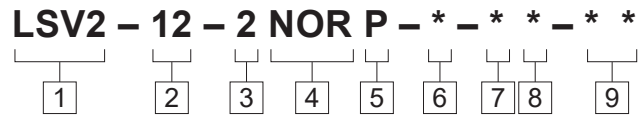
Max.Operating Pressure	207bar
Flow	See PRESSURE DROP VS.FLOW graph.
Internal Leakage	3 drops/min max. at 207bar
Temperature	-40°F to +212°F(-40°C to +100°C)
Coil Duty Rating	Continuous from 85% to 115% of nominal voltage
Filtration	See page N-1
Fluids	Mineral-based fluids with viscosities of 7.4 to 420 cSt.
Cavity	12-2,See page M-3
Housing Material	6061-T6 aluminum alloy rated to 207bar, Steel & Ductile iron rated to 350bar



## PRESSURE DROP VS.FLOW



**TO ORDER**



<p><b>1 Function</b> LSV2=Solenoid Valve</p>	<p><b>6 Manual Override Options</b> Omit=None M=Manual Override</p>	<p><b>9 Port Size</b> Omit=None 10T=SAE 10 12T=SAE 12 6G=G 3/4 8G=G 1</p>
<p><b>2 Size</b> 12=12 Size</p>	<p><b>7 Coil Voltage</b> 1=12 VDC 2=24 VDC 3=110 VAC 4=220 VAC</p>	<p>※ See page K-8 for detail of housing ※ Other port sizes are available</p>
<p><b>3 Flow Path</b> 2=2-Way</p>	<p><b>8 Coil Connector Type</b> D= Double Lead H= Hirschmann C= Conduit ER= Deutsch Connector(Water-proof Coil) B= Double Spade</p>	
<p><b>4 Style</b> NOR=Normally Open, Reverse Flow De-energized</p>		
<p><b>5 Type</b> P=Poppet</p>		

**INSTALLATION DIMENSIONS**

Coil Must Be Installed With Letter Up

Unit=Millimeters

