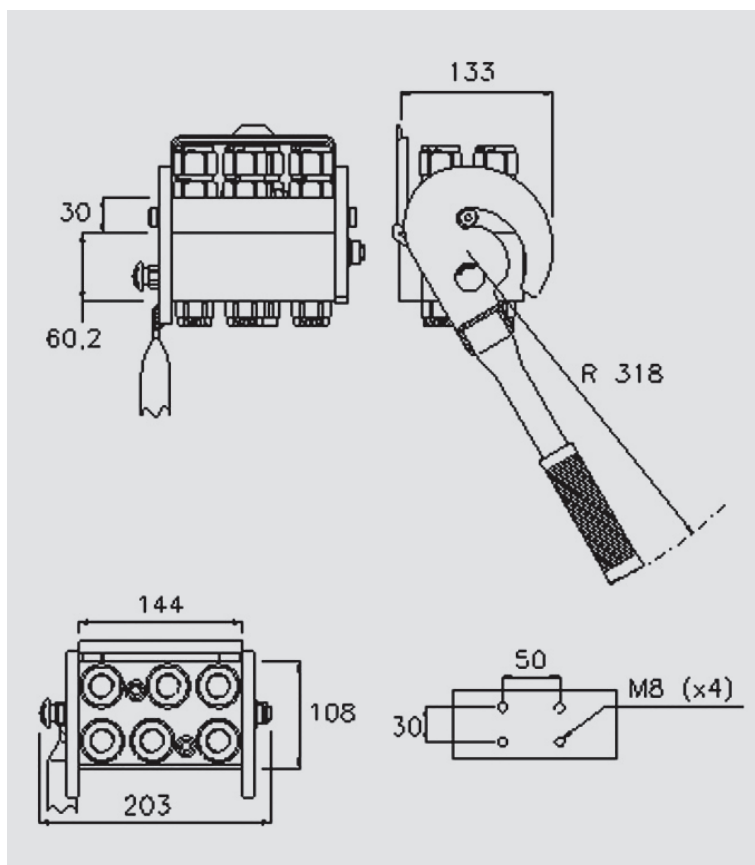


# P6o8



Multifaster 6 lines, size o8.

## Applications



## Technical Specifications

dash	Size		Working Pressure (MPa)	Flow Rate (l/min)	Spillage (ml)	Burst pressure (MPa)		
	mm	inch				Male	Female	Male + Female
08	12,5	1/2"	25	70	0,01	100	100	100

Material	Aluminium; Steel	Valve Type	Flat
Seals	NBR; PUR	Connection	Lever
Working temperatures	- 25 °C to 100 °C	Disconnection	Lever
Surface treatment	MATE 500 (CrIII); Paint	Connection Under Pressure	Allowed Residual

# P6o8

Size					Thread Type					FIXED
dash	mm	inch	Housing	Number of Couplings	Thread Type	Standard	Thread	Electrical Connector N	Connector Type	Part Number
08	12,5	1/2"	6	6	F BSPP	ISO 1179-1	BSPP 1/2" FEMALE			3P608-6-12G F C
08	12,5	1/2"	6	4	F BSPP	ISO 1179-1	BSPP 1/2" FEMALE	2	7 PINS	2P608-B-4-C F C
08	12,5	1/2"	6	5	F BSPP	ISO 1179-1	BSPP 1/2" FEMALE	1	7 PINS	2P608-A-5-12GFC
08	12,5	1/2"	6	6	O/ SAE	ISO 11926-1	1-1/16"-12 UN FEMALE ORB			2P608-6-34S F C
08	12,5	1/2"	6	6	O/ SAE	ISO 11926-1	3/4"-16 UNF FEMALE ORB			2P608-6-12S F C
08	12,5	1/2"	6	4	O/ SAE	ISO 11926-1	3/4"-16 UNF FEMALE ORB			2P608-4-12S F C
08	12,5	1/2"	6	4	F BSPP	ISO 1179-1	BSPP 1/2" FEMALE	2	3 PINS	2P608-2-4-12GFC
08	12,5	1/2"	6	5	F BSPP	ISO 1179-1	BSPP 1/2" FEMALE	1	3 PINS	2P608-1-5-12GFC
08	12,5	1/2"	6	6	F BSPP	ISO 1179-1	BSPP 1/2" FEMALE			2P608-6-12G F C

Size					Thread Type					MOBILE
dash	mm	inch	Housing	Number of Couplings	Thread Type	Standard	Thread	Electrical Connector N	Connector Type	Part Number
08	12,5	1/2"	6	4	F BSPP	ISO 1179-1	BSPP 1/2" FEMALE	2	7 PINS	3P608-B-4-12GMC
08	12,5	1/2"	6	5	F BSPP	ISO 1179-1	BSPP 1/2" FEMALE	1	7 PINS	3P608-A-5-12GMC
08	12,5	1/2"	6	6	O3/ METRIC	ISO 8434-1-S	M24x1,5 MALE 16S			3P608-6-3/24MGC
08	12,5	1/2"	6	6	F BSPP	ISO 1179-1	BSPP 1/2" FEMALE			3P608-6-12G M C
08	12,5	1/2"	6	3	F BSPP	ISO 1179-1	BSPP 1/2" FEMALE			3P608-3-12G M C
08	12,5	1/2"	6	5	F BSPP	ISO 1179-1	BSPP 1/2" FEMALE	1	3 PINS	3P608-1-5-12GMC
08	12,5	1/2"	6	6	11/ SAE	ISO 8434-3	13/16"-16 UN MALE ORFS			2P608-6-8B M C
08	12,5	1/2"	6	6	O/ SAE	ISO 11926-1	1-1/16"-12 UN FEMALE ORB			2P608-6-34S M C
08	12,5	1/2"	6	6	13/ SAE	ISO 8434-2	3/4"-16 UNF MALE JIC			2P608-6-13/FSMC
08	12,5	1/2"	6	6	O/ SAE	ISO 11926-1	3/4"-16 UNF FEMALE ORB			2P608-6-12S M C
08	12,5	1/2"	6	5	F BSPP	ISO 1179-1	BSPP 1/2" FEMALE			2P608-5-12G M C
08	12,5	1/2"	6	4	11/ SAE	ISO 8434-3	13/16"-16 UN MALE ORFS			2P608-4-8B M C
08	12,5	1/2"	6	4	O/ SAE	ISO 11926-1	3/4"-16 UNF FEMALE ORB			2P608-4-12S M C
08	12,5	1/2"	6	4	11/ SAE	ISO 8434-3	1"-14 UNS MALE ORFS			2P608-4-11/GSMC
08	12,5	1/2"	6	4	11/ SAE	ISO 8434-3	13/16"-16 UN MALE ORFS	2	3 PINS	2P608-2-4-8BM C
08	12,5	1/2"	6	4	F BSPP	ISO 1179-1	BSPP 1/2" FEMALE	2	3 PINS	2P608-2-4-12GMC
08	12,5	1/2"	6	6	F BSPP	ISO 1179-1	BSPP 1/2" FEMALE			2P608-6-12G M C

