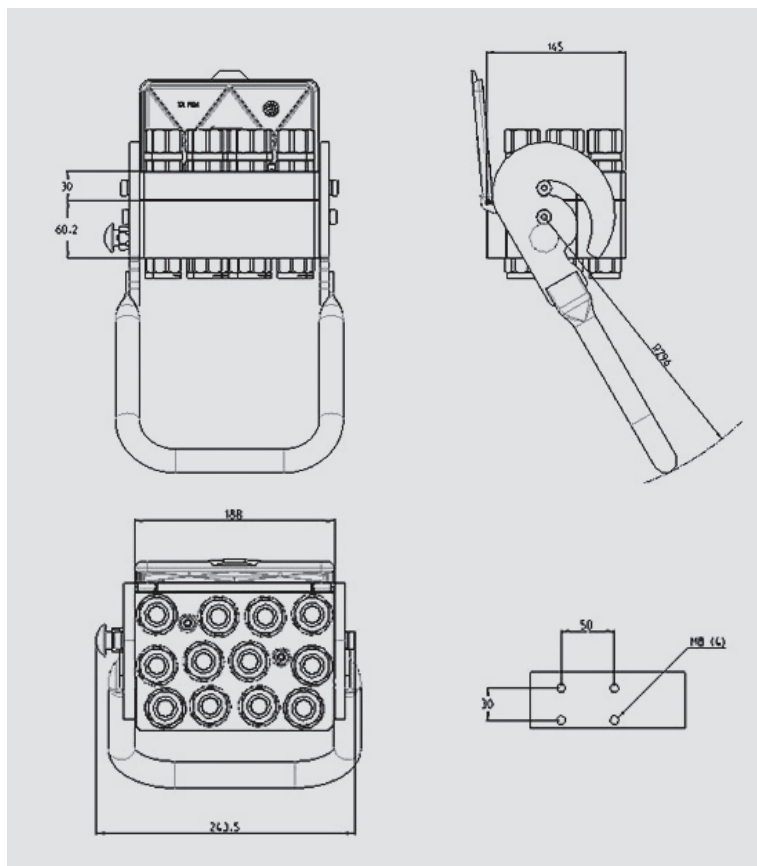


P12B



Multifaster 12 lines, size o8.

Applications



Technical Specifications

dash	Size		Working Pressure (MPa)	Flow Rate (l/min)	Spillage (ml)	Burst pressure (MPa)		
	mm	inch				Male	Female	Male + Female
08	12,5	1/2"	25	70	0,01	100	64	100

Material **Stainless Steel**

Valve Type **Flat**

Seals **FKM**

Connection **Lever**

Working temperatures **- 20 °C to 200 °C**

Disconnection **Lever**

Surface treatment

Connection Under Pressure **Allowed Residual**

P12B

Size					Thread Type					FIXED
dash	mm	inch	Housing	Number of Couplings	Thread Type	Standard	Thread	Electrical Connector N	Connector Type	Part Number
08	12,5	1/2"	12	12	F BSPP	ISO 1179-1	BSPP 1/2" FEMALE			2P12B-12-AF2V C

Size					Thread Type					MOBILE
dash	mm	inch	Housing	Number of Couplings	Thread Type	Standard	Thread	Electrical Connector N	Connector Type	Part Number
08	12,5	1/2"	12	12	F BSPP	ISO 1179-1	BSPP 1/2" FEMALE			2P12B-12-AM2V C

