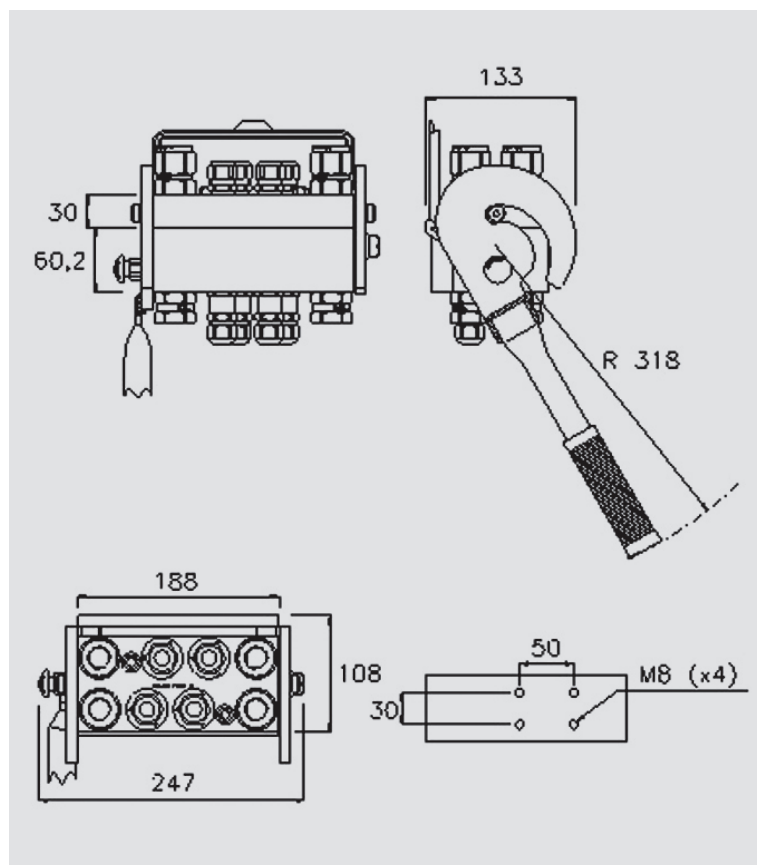


P8o8



Multifaster 8 lines, size o8.

Applications



Technical Specifications

dash	Size		Working Pressure (MPa)	Flow Rate (l/min)	Spillage (ml)	Burst pressure (MPa)		
	mm	inch				Male	Female	Male + Female
08	12,5	1/2"	25	70	0,01	100	100	100

Material	Aluminium; Steel	Valve Type	Flat
Seals	NBR; PUR	Connection	Lever
Working temperatures	- 25 °C to 100 °C	Disconnection	Lever
Surface treatment	MATE 500 (CrIII); Paint	Connection Under Pressure	Allowed Residual

P8o8

Size					Thread Type					FIXED
dash	mm	inch	Housing	Number of Couplings	Thread Type	Standard	Thread	Electrical Connector N	Connector Type	Part Number
08	12,5	1/2"	8	6	11/ SAE	ISO 8434-3	13/16"-16 UN MALE ORFS	2	7 PINS	2P808-B-6-B F C
08	12,5	1/2"	8	7	F BSPP	ISO 1179-1	BSPP 1/2" FEMALE	1	7 PINS	2P808-A-7-12GFC
08	12,5	1/2"	8	8	O/ SAE	ISO 11926-1	1-1/16"-12 UN FEMALE ORB			2P808-8-34S FC
08	12,5	1/2"	8	8	O/ SAE	ISO 11926-1	3/4"-16 UNF FEMALE ORB			2P808-8-12S FC
08	12,5	1/2"	8	8	11/ SAE	ISO 8434-3	1"-14 UNS MALE ORFS			2P808-8-11/GSFC
08	12,5	1/2"	8	6	F BSPP	ISO 1179-1	BSPP 1/2" FEMALE			2P808-6-12G F C
08	12,5	1/2"	8	8	F BSPP	ISO 1179-1	BSPP 1/2" FEMALE			2P808-8-12G FC

Size					Thread Type					MOBILE
dash	mm	inch	Housing	Number of Couplings	Thread Type	Standard	Thread	Electrical Connector N	Connector Type	Part Number
08	12,5	1/2"	8	7	F BSPP	ISO 1179-1	BSPP 1/2" FEMALE	1	7 PINS	2P808-A-7-12GMC
08	12,5	1/2"	8	8	O/ SAE	ISO 11926-1	1-1/16"-12 UN FEMALE ORB			2P808-8-34S MC
08	12,5	1/2"	8	6	11/ SAE	ISO 8434-3	13/16"-16 UN MALE ORFS			2P808-6-8BC M C
08	12,5	1/2"	8	6	F BSPP	ISO 1179-1	BSPP 1/2" FEMALE			2P808-6-12G M C
08	12,5	1/2"	8	6	O2/ METRIC	ISO 8434-1-L	M22x1,5 MALE 15L	1	3 PINS	2P808-1-6-2/2MC
08	12,5	1/2"	8	8	F BSPP	ISO 1179-1	BSPP 1/2" FEMALE			3P808-8-12G MC
08	12,5	1/2"	8	8	F BSPP	ISO 1179-1	BSPP 1/2" FEMALE			2P808-8-12G MC

