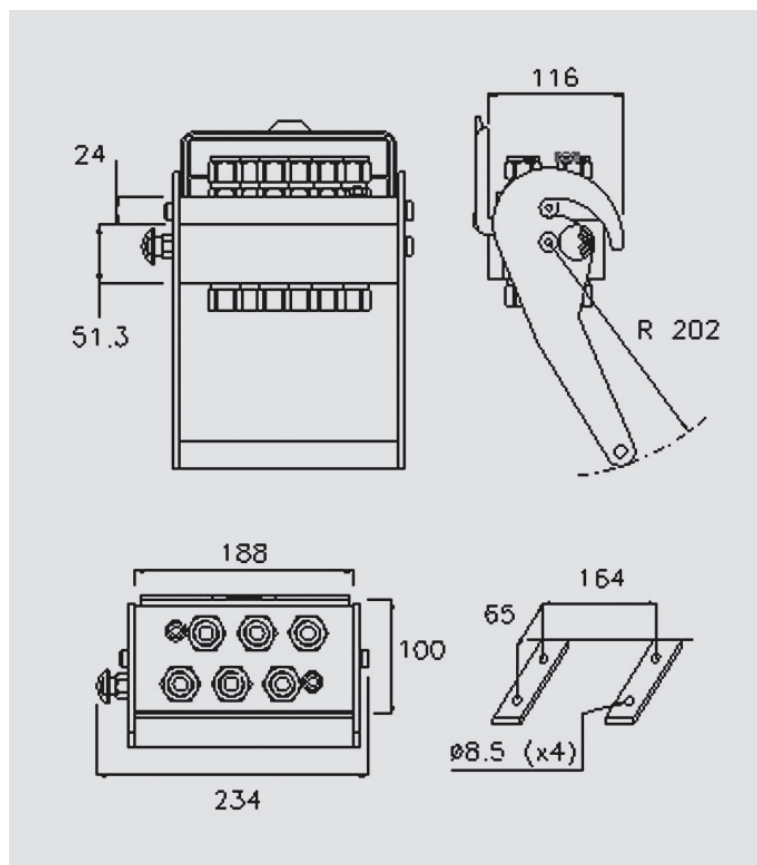


P6o6



Multifaster 6 lines, size o6.

Applications



Technical Specifications

| dash | Size | | Working Pressure (MPa) | Flow Rate (l/min) | Spillage (ml) | Burst pressure (MPa) | | |
|------|------|------|------------------------|-------------------|---------------|----------------------|--------|---------------|
| | mm | inch | | | | Male | Female | Male + Female |
| 06 | 10 | 3/8" | 25 | 40 | 0,008 | 100 | 100 | 100 |

| | | | |
|----------------------|-------------------------|---------------------------|------------------|
| Material | Aluminium; Steel | Valve Type | Flat |
| Seals | NBR; PUR | Connection | Lever |
| Working temperatures | - 25 °C to 100 °C | Disconnection | Lever |
| Surface treatment | MATE 500 (CrIII); Paint | Connection Under Pressure | Allowed Residual |

P6o6

| Size | | | | | Thread Type | | | | | FIXED |
|------|----|------|---------|---------------------|-------------|--------------|------------------------|--------------|----------------|-----------------|
| dash | mm | inch | Housing | Number of Couplings | Thread Type | Standard | Thread | Electrical N | Connector Type | Part Number |
| 06 | 10 | 3/8" | 6 | 6 | F BSPP | ISO 1179-1 | BSPP 3/8" FEMALE | | | 2P606-6-38G F C |
| 06 | 10 | 3/8" | 6 | 6 | O2/ METRIC | ISO 8434-1-L | M22x1,5 MALE 15L | | | 2P606-6-2/22F C |
| 06 | 10 | 3/8" | 6 | 6 | O/ SAE | ISO 11926-1 | 3/4"-16 UNF FEMALE ORB | | | 2P606-6-12S F C |
| 06 | 10 | 3/8" | 6 | 6 | F BSPP | ISO 1179-1 | BSPP 1/2" FEMALE | | | 2P606-6-12G F C |

| Size | | | | | Thread Type | | | | | MOBILE |
|------|----|------|---------|---------------------|-------------|--------------|------------------------|--------------|----------------|-----------------|
| dash | mm | inch | Housing | Number of Couplings | Thread Type | Standard | Thread | Electrical N | Connector Type | Part Number |
| 06 | 10 | 3/8" | 6 | 6 | F BSPP | ISO 1179-1 | BSPP 3/8" FEMALE | | | 2P606-6-38G M C |
| 06 | 10 | 3/8" | 6 | 6 | O2/ METRIC | ISO 8434-1-L | M22x1,5 MALE 15L | | | 2P606-6-2/22M C |
| 06 | 10 | 3/8" | 6 | 6 | O/ SAE | ISO 11926-1 | 3/4"-16 UNF FEMALE ORB | | | 2P606-6-12S M C |
| 06 | 10 | 3/8" | 6 | 6 | F BSPP | ISO 1179-1 | BSPP 1/2" FEMALE | | | 2P606-6-12G M C |

